

Owner's Manual

VasScan™Table

MEDICAL POSITIONING

Owner _____

Model _____

Serial Number _____

Date _____

Table of Contents

I. VasScan™Table

| | |
|----------------------------------|--------|
| Set-Up | I - 3 |
| Safety Features | I - 5 |
| Operation and Annual Maintenance | I - 6 |
| 1. Hand wand | I - 6 |
| 2. Arm board/ Footboard | I - 7 |
| 3. Headrest Assembly | I - 8 |
| 4. Leg Supports | I - 9 |
| 5. Caster use | I - 10 |
| Cleaning Instructions | I - 11 |
| Warranty | I - 13 |
| Troubleshooting Guide | I - 14 |

II. Parts Lists and Diagrams

| | |
|---------------|---------|
| VasScan™Table | II - 15 |
|---------------|---------|

III. Accessories

| | |
|-----------------------------------|----------|
| Collapsible Safety Rail Operation | III - 17 |
|-----------------------------------|----------|

IV. Specification Sheets

| | |
|---------------|---------|
| VasScan™Table | IV - 18 |
|---------------|---------|

PREVENTATIVE MAINTENANCE

The following Preventative Maintenance should be performed annually:

- Visually inspect all mechanical assemblies and moving parts on the product insuring smooth, steady operation
- Visually inspect all fasteners (bolts, nuts, screws, etc.) to insure all are fully installed. Tighten as necessary.
- Visually inspect all electrical cables and wires for signs of abrasion or other damage. If damaged, replace.
- Visually inspect all electrical connections to insure they are fully and properly connected. Reconnect as necessary.
- Visually inspect the hand wand or foot control. If damaged, replace.
- Operate all drop section latch mechanisms to insure proper engagement of latch into receiver. Adjust if necessary.
- Operate all motors to insure full extension, retraction and correct operation. The motors are permanently lubricated and require no maintenance.
- Operate all accessories to insure proper attachment and operation. Tighten, adjust or replace if necessary.

MEDICAL POSITIONING, INC.

1717 Washington Street
Kansas City, MO 64108

MultiScan™ Bed/Table & VasScan™ Bed/Table

| | |
|---------------------------|----------|
| Maximum Distributed Load: | 1000 Lbs |
| Voltage: | 120 VAC |
| Amperage: | 1.6 Amps |
| Leakage Current: | <100 uA |
| Cycle: | 60 Hz |
| Duty Cycle: | 10% |

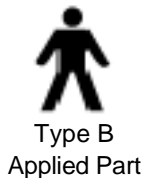
UL 60601-1 CLASSIFICATIONS:

- Class 1 Equipment
- Type B Applied part
- Degree Of Protection Against Ingress Of Water / IPX0
- Equipment Not Suitable For Use In Flammable Anesthetic Mixture

All electrical circuitry is isolated from chassis.

Grounding reliability can only be achieved when the equipment is connected to an equivalent receptacle marked "Hospital Only" or Hospital Grade".

The power cord is to be used for mains disconnection.



MEDICAL EQUIPMENT WITH RESPECT TO ELECTRICAL SHOCK, FIRE AND MECHANICAL HAZARDS ONLY IN ACCORDANCE WITH UL 60601-1 AND CAN/CSA c22.2 NO. 601.1

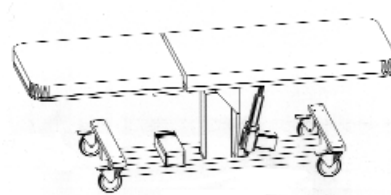
Grounding reliability can only be achieved when the equipment is connected to an equivalent receptacle marked "Hospital Only" or Hospital Grade"

Transportation and storage:
Temperature range within -40 to +70 degrees C
Relative humidity range within 10% to 100%
Atmospheric pressure range within 500 to 1060 hPa

VasScan™Table Set Up

Introduction

Your VasScan™Table has been Pre-assembled and tested to insure perfect operation on day one. Please closely inspect it when you receive it to insure no damage has occurred during shipment. Because it is a complex piece of equipment you are offered the following precautions.



VasScan™Table

To Avoid Injury or Damage

REVERSE TRENDLENBURG (foot end down) SAFETY NOTICE - PLEASE READ

This table has been supplied with a removable / adjustable footboard that **MUST BE USED WHEN TILTING THE TABLE MORE THAN 15° REVERSE TRENDLENBURG (foot end down)** to prevent patient from sliding off table surface.

To reduce the risk of electrical shock, do not remove secured covers. Refer servicing to qualified personnel.

Lock all casters before using equipment.

Place hand wand on hook or holder when not in use. Keep cable clear of moving parts.

Grounding reliability can only be achieved when the equipment is connected to an equivalent receptacle marked “hospital only” or “hospital grade”.

Protect vinyl upholstery from sharp objects and abrasion to avoid damage.

Refer to instructions located in this manual for vinyl cleaning recommendations.

Do not use abrasives to clean painted surfaces.

Risk class is 2G.--120 VAC, 50 to 60hz.

In This Section

Your VasScan™Table has been shipped to you in “plug and play” condition. In this section you will learn how to use the handwand and perform an initial test of your VasScan™Table to insure that each function is in correct working order. After reviewing this manual you are ready to begin using your VasScan™Table

System Test Procedure

The hand wand is a low voltage, DC operated device. The cable begins at the hand wand and plugs into the control box.

| <u>Step</u> | <u>Action</u> |
|-------------|--|
| 1 | After removing padding and packaging materials, locate primary power supply cord and attach to suitable grounded 120 VAC outlet. |
| 2 | To test actuator function, locate the hand control wand and depress each function button <i>one at a time</i> . (Depressing multiple buttons simultaneously will prevent the motor from operating.) Figure 2 |
| 3 | If any function does not operate, perform the test procedures listed in the “ Troubleshooting Guide ” located in this manual. |

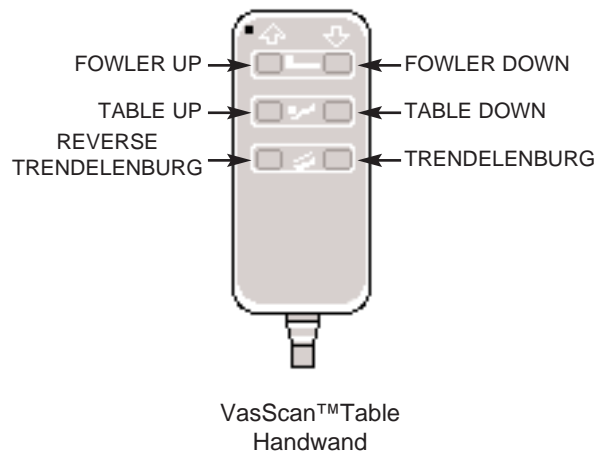


Figure 1

Safety Features

In This Section

This section lists the safety features built into your VasScan™Table.

Safety Features

This product is equipped with multiple automated safety features to prevent danger or damage during use.

The entire system is loopgrounded to UL/IEC 60601-1

and CAN/CSA c22.2 No. 601.1 hospital standards

The actuator assemblies are current overload protected. If overloaded, the actuators will stop and reset automatically.

The sealed hand held wand operates the actuators by directing small amounts of low voltage D.C. current to the control box. All of the actuator drives are equipped with internal limit switches which automatically prevent over-extension.

The tables are equipped with total locking, sealed bearing, braking casters at all four corners.

A level indicator is located on the sides of the table surface allow quick repositioning to level after Trendelenburg procedures.

Operation

Introduction

Your VasScan™Table is shipped assembled and ready for use. Each function has been pre-tested to insure perfect working order on day one. A **“Troubleshooting Guide”** is included to instruct you in the event of a malfunction.

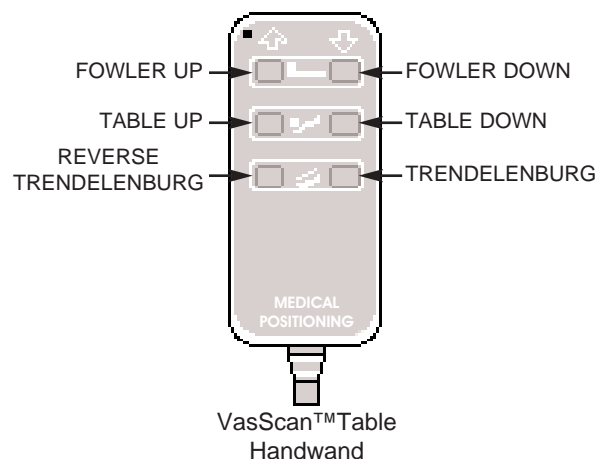
In This Section

You will be provided with a basic understanding of the VasScan™Table including.

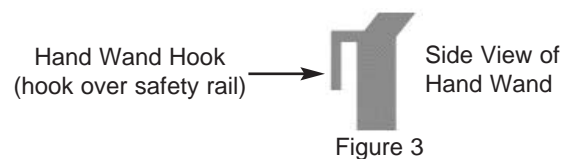
- using the hand wand
- Fowler operation
- caster use
- annual maintenance

Hand Wand Procedure

The hand wand is a low voltage device. The cable begins at the hand wand and plugs into the control box on the other end.



The hand wand attaches to the table in one of the two (2) following ways:
Tables with safety rails - The hand wand has a hook installed on the back which is designed to hang on the safety rails.



Tables without safety rails - The hand wand has a Velcro strip on the back and the table has Velcro on the side.

*Additional Velcro can be used to place the handwand in the most convenient place for the end user.

Armboard

The armboard is packaged separately during shipment to avoid possible damage.

To install the armboard:

- | <u>Step</u> | <u>Action</u> |
|-------------|--|
| 1 | Loosen the handwheel (located on the side of the armboard receiver by rotating it counter-clockwise). |
| 2 | Insert the armboard support tube into the armboard receiver as shown above and secure the armboard by rotating the handwheel clock-wise. |
| 3 | The angle of the armboard can be adjusted by loosening the handwheel and rotating the armboard. Always tighten the armboard before use. |

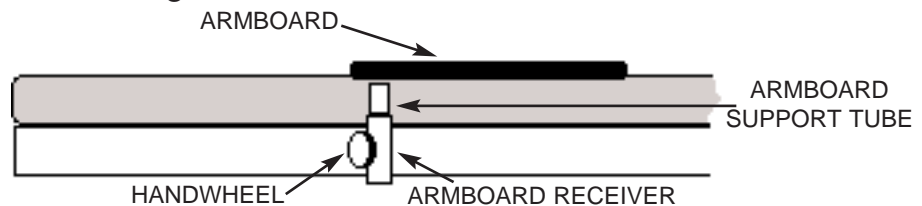


Figure 5

Foot Board Assembly

The foot board is packaged separately during shipment to avoid possible damage

REVERSE TRENDELENBURG (foot end down) SAFETY NOTICE - PLEASE READ

This table has been supplied with a removable / adjustable footboard that MUST BE USED WHEN TILTING THE TABLE MORE THAN 15° REVERSE TRENDELENBURG (foot end down) to prevent patient from sliding off table surface.

To install the foot board:

- | <u>Step</u> | <u>Action</u> |
|-------------|--|
| 1 | Install the foot board by inserting the round end, metal dowels into any 2 parallel holes in the foot board receiver blocks on the sides of the bed and fully seating the foot board against the foot board receiver blocks. |
| 2 | To change the mounting position or remove the foot board, lift it from the foot board receiver blocks on the sides of the bed. |

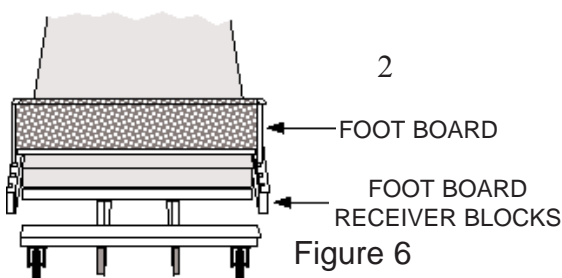


Figure 6

Headrest Assembly (Optional on VasScan™Table)

The headrest is packaged separately during shipment to avoid possible damage.

To install the headrest:

- | <u>Step</u> | <u>Action</u> |
|-------------|---|
| 1 | Loosen the horizontal adjusting hand (located on the bottom of the upper bed frame, near the head of the bed). |
| 2 | Insert the horizontal support tube into the mounting bracket as shown above and secure the headrest in place by rotating the horizontal adjusting handle in a clock-wise direction. |
| 3 | Vertical adjustment of the headrest can be achieved by loosening the vertical adjusting knob and lifting the headrest to the desired height. |
| 4 | The angle of the headrest can be adjusted by rotating it at the point it is joined to the vertical support tube. The tension of the swivel mechanism can be adjusted by tightening or loosening the three (3) tension adjusting bolts shown above. (4mm Allen Wrench required). |

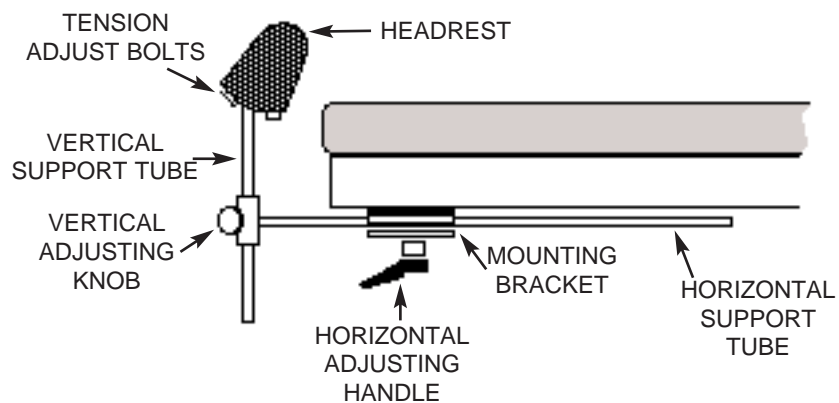


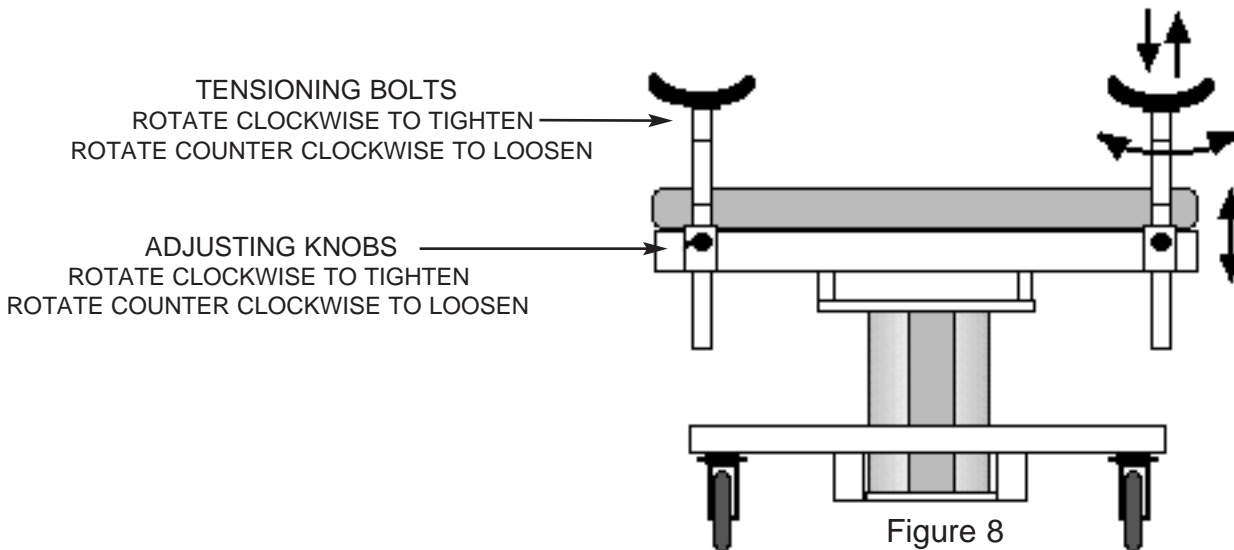
Figure 7

Adjustable Leg Supports (Optional on VasScan™Table)

The Adjustable Leg Supports are adjustable vertically, horizontally, and radially.

The **Tensioning Bolts** affect the swivel and tilt of the padded sections. The padded sections are pre-tensioned at the factory. If necessary, the amount of tension can be increased by turning each bolt counter clockwise or loosened by turning each bolt clockwise. Make each adjustment in small increments to avoid over adjusting.

The **Adjusting Knob** affects the height and direction of rotation of the support rod. To adjust the position of the support rod, loosen the Adjusting Knob and position the assembly in the desired position. Tighten the Adjusting Knob securely to hold in place.



VasScan Table Caution

If your VasScan Table is equipped with optional leg supports, please follow the following procedure.

| <u>Step</u> | <u>Action</u> |
|-------------|---|
| 1 | Remove the footboard (see foot board assembly in this manual). |
| 2 | While the leg supports are installed on your table, DO NOT PLACE THE TABLE IN STEEP REVERSE TRENDELENBURG! Doing so creates a safety issue for the patient and can cause damage to the leg rest support rod from contact with the base structure or the floor. |

Caster Use Procedure

The casters installed on your Bed are total locking casters. When in the locked position, the caster is prevented from both rolling and swiveling. *Before beginning any procedure involving a patient, insure the casters are in the locked position*

- | <u>Step</u> | <u>Action</u> |
|-------------|--|
| 1 | To lock the caster, step down on the outermost edge of the black locking tab located at the top of the caster wheel (See Figure 16). |

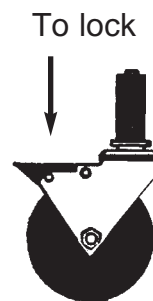


Figure 16

- | | |
|---|---|
| 2 | To unlock the caster step down on the top, innermost edge of the locking tab or lift on the outermost edge of the tab.(See figure 17) |
|---|---|

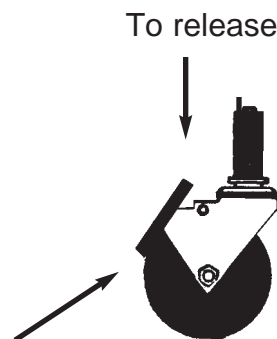


Figure 17

Cleaning Instructions

Please note that substances such as gels and alcohol will not damage the vinyl surface when immediately removed. Studies have shown that exposure for longer than a few minutes can damage the top coat and will eventually discolor vinyl.

The painted metal and plastic surfaces can be cleaned with normal cleaners and disinfectant.

| <u>Step</u> | <u>Action</u> |
|-------------|---|
| 1 | Clean and/or disinfect with liquid cleaner of choice being careful to follow label instructions provided with cleaner. (Always test a small area to determine suitability of solution.) |
| 2 | Wipe the surface clean with a wet cloth after applying cleaners and disinfectant to remove excess residue build-up. |

ALWAYS READ MANUFACTURERS INSTRUCTIONS AND WARNINGS BEFORE USING ANY CLEANING PRODUCT OR DISINFECTANT.

The vinyl upholstered surfaces can be cleaned in one of the following ways:

| <u>Step</u> | <u>Action</u> |
|-------------|---|
| 1 | When caught quickly, most everyday stains like grease, blood and felt tip pens can be wiped right off. Use mild soap and water. For more stubborn stains, a variety of concentrated and solvent type cleansers may be used without damaging the surface (including alcohol, naphtha and bleach), as long as they are thoroughly rinsed off with water. (Abrasive household cleaners and steel wool should be avoided - see the guide for complete care and cleaning procedures.) |
| 2 | Everyday soil can usually be removed using a soft cloth or sponge with mild soap and water. Spills and accidents require immediate attention for best results. In many cases, stains may be cleaned simply with warm water alone. If the stain is allowed to set, more concentrated cleaners may be required. |

Cleaning Instructions (cont.)

The following guide cover many of the most common staining agents. During independent laboratory testing, many were allowed to stand for up to 40 hours with excellent cleaning results.

Generally speaking, always start with the mildest cleaning agents first. **Never use harsh powdered abrasive cleansers or steel wool.** Products containing bleach, ammonia or alcohol (Lysol™) should be wiped from the surface with a wet cloth after use. Residue from these products **will** damage vinyl surfaces.

| <u>Step</u> | <u>Action</u> |
|-------------|--|
| 1 | Remove excess spill with damp cloth. Clean with 1:1 mix of Ivory™ soap and water. Rinse with clean water and dry. |
| 2 | Use straight application of concentrated cleaners such as Formula 409™ or Fantastik™ Spray cleaner. Then wipe with clean cloth |
| 3 | Use 1:1 mix of ammonia and water or a 1:4 mix of bleach and water. Rinse with clean water and dry. |
| 4 | Use straight application of naphtha (lighter fluid). Rinse thoroughly with clean water and pat surface dry. (see note below) |
| 5 | Use 1:1 mix of isopropyl alcohol and water. If stain persists, use straight alcohol. Rinse thoroughly with clean water pat surface dry. If stains remain, use a 1:1 mix of acetone and water. Rinse with clean water and pat surface dry. (see note below) |

Note: For cleaning that requires steps 4 or 5 - use a soft cotton cloth saturated with the cleaning material, rub the stain in circles 10 times. Pat dry with another soft cotton cloth and check results.

This information is not a guarantee and does not relieve the user from the responsibility of the proper and safe use of the product and all cleaning agents.

Formula 409™ is a trademark of the Clorox Company.

Fantastik™ Spray Cleaner is a trademark of the Texize Division of Dow Consumer Products, Inc.

Ivory™ is a trademark of Procter and Gamble.

Lysol™ is a trademark of Reckitt & Colman Inc.

Warranty

Office Models

1 Year

This product is fully guaranteed against defects in material or workmanship, for the period indicated above commencing with receipt by the original end user. If a product fails due to a manufacturing defect, we will repair or authorize repairs to the product without charge or replace it at our option.

We use only the finest materials available, but even these premium quality materials will not last forever. Repairs due to normal wear, accident, improper care, or negligence, where we are not at fault, will be performed for a reasonable charge. The warranty does not apply if the product has been modified without the advance written permission of Medical Positioning, Inc. or if a Office Model product is placed in an acute care facility.

Medical Positioning, Inc. makes no other warranty, either expressed or implied, with respect to this product. Medical Positioning, Inc. specifically disclaims the implied warranties of merchantability and fitness for a particular purpose.

The remedies provided herein are customer's sole and exclusive remedies. In no event shall Medical Positioning, Inc. be liable for any direct, indirect, special, incidental, or consequential damages, whether based on contract, tort, or any other legal theory.

Product shall not be returned to Medical Positioning, Inc. without prior written authorization from Medical Positioning, Inc. If a product is returned without prior authorization, customer is responsible for all shipping charges and any applicable duties and/or taxes. When a repair is made on site, (solely) at the request of the customer, the customer is responsible for all travel costs.

Medical Positioning Inc.
1717 Washington
Kansas City, Missouri 64108
(816) 474-1555
(800) 593-3246
FAX (816) 474-7755

WARR1098

U.S. Patents: 6,353,949 B1; 5,950,262; 5,919,131; 347,691; ,184,363; 5,461,739; 6,367,104 B1; 5,250,262; 5,367,104 B1; 6,832,399 B2; 6,557,196 B2; 7,082,268: **International Patents:** 195 81 706; 2,304,568; Additional Patents Pending

Troubleshooting Guide

A “**Troubleshooting Guide**” is included to instruct you in the event of a malfunction. If you are experiencing any of the following symptoms, this guide may help you quickly solve the problem. If, after consulting this guide, you are still unable to operate your product please contact Medical Positioning at 1-800-593-3246. Please have the following information ready when you call:

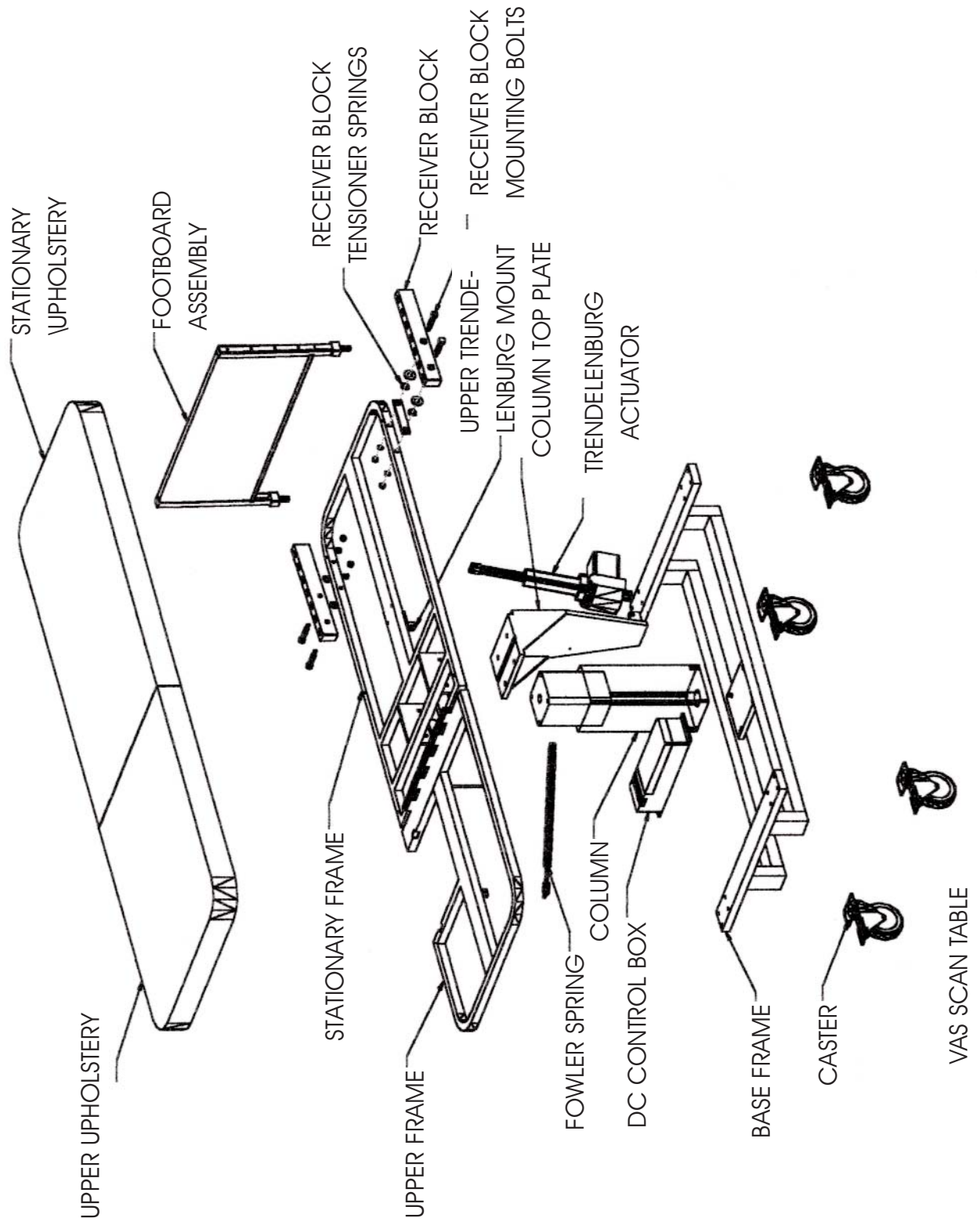
1. Model Number or Name of Product
2. Date Received
3. Condition When Received
4. Symptom (or problem) Encountered & Result of Troubleshooting Procedure

| Symptom | Probable Cause | Suggestion |
|--|--|---|
| No Actuator Function. Actuator Not Running. | Power cord not plugged all the way in wall receptacle. | Push power cord securely into receptacle. |
| | Power outlet receptacle not supplying 120 VAC power. | Check power availability or plug unit into another receptacle. |
| | The power cord may be separated from the control box. | Inspect power availability light on control box. (See Figure) |
| | On supine ergometer units, the power strip circuit protector may be tripped. | Inspect black plunger switch on power strip and reset by pushing in (fig. 2). |
| | Hand wand not properly connected to control box. | Securely press end of hand wand power cord into control box. |
| | Actuator power cord not fully connected to control box. | Securely press end of actuator power cord receiver (Figure3). Inspect control box continuity light on handwand. |

VasScan™ Table Parts List

INV. # DESCRIPTION

| | |
|-------|---|
| 10373 | FOW 3, COLUMN BRACKET |
| 10454 | FOW 6, HINGE PIN |
| 10751 | FOW 50, FOWLER TABLE STATIONARY FRAME |
| 10752 | FOW 51, FOWLER TABLE FRAME UPPER |
| 10800 | FOW 55, FOWLER GAS SPRING LEVER BRACKET |
| 10956 | FOW 61, FOWLER TABLE FRAME UPPER DUAL D.S. |
| 10219 | EPS 5, TOP PLATE |
| 10220 | EPS 6, TRENDELENBURG SHAFT |
| 10447 | EPS 24, 4" COLUMN SPACER |
| 10688 | EPS 53 BASE |
| 10365 | BEARING, NYLON FLANGE 3/4" O.D. |
| 10969 | BEARING, BRONZE .875 ID |
| 10277 | COLLAR, SET SCREW 7/8" ID |
| 10330 | GAS SPRING, LOCKING -800N #028-00147 |
| 10331 | RELEASE MECHANISM, GAS SPRING #021-00075 |
| 10354 | KNOB, 1 3/8" DIA. S 1/4-20 THREAD #85221 |
| 10353 | SWIVEL, CONTROL - MC MASTER #6058K13 |
| 10382 | ROD THREADED 1/4-28 - 36" LENGTHS |
| 10123 | TUBING, CLEAR PLASTIC 3/8 ID |
| 10378 | CLEVIS PIN, 3/16 X 3/4 |
| 10637 | I.D. TAG |
| 10424 | SPACER, NYLON #13R5062565 (For Fowler Gas Spring) |
| 10681 | TOTAL LOCK PLATE CASTER |
| 10193 | BOLT, HEX 10mm X 40mm |
| 10026 | BOLT, HEX 5/16-18 X 1 1/2 |
| 10189 | BOLT, HEX 5/16-18 X 2" GRADE 8 |
| 10195 | BOLT, SHOULDER, 12mm x 35mm |
| 10359 | BOLT MACHINE, 10-24 X 1" HEX HEAD |
| 10199 | NUT, NYLOCK 10mm |
| 10028 | NUT, HEX 5/16-18 |
| 10197 | NUT, HEX 3/8-16. GRADE 8 |
| 10256 | WASHER, INTERNAL TOOTH, 10mm |
| 10255 | WASHER, INTERNAL TOOTH, 5/16" |
| 10036 | WASHER, FLAT 10-24 |
| 10363 | WASHER, LOCK 10-24 |
| 10057 | SCREW, PHILLIPS PAN HEAD #8 X 3/4 |
| 10852 | SCREW, PHILLIPS PARTICLE BOARD #8 X 2" |
| 10477 | SCREW, PHILLIPS PARTICLE BOARD #8 X 1" |
| 10271 | ACTUATOR BUSHING SET |
| 10727 | ACTUATOR, HT #TLG10-AA2X0-018 |
| 10729 | ACTUATOR, TR/ #MAX30-A130345A1710A-000 |
| 10728 | D.C. CONTROL BOX # KOM33-20A-000 |
| 10741 | D.C HANDSWITCH, H &TR #EHA 12-21B00J-546 |
| 10244 | HOOK & LOOP TAPE, 2" PRESSURE SENSITIVE |
| 10211 | HOOK & LOOP TAPE, 2" PRESSURE SENSITIVE |
| 11085 | RIGHT RECEIVER BLOCK |
| 10087 | FOOTBOARD MOUNTING BRACKET ASSEMBLY |
| 11088 | FOOTBOARD |
| 11086 | LEFT RECEIVER BLOCK |
| 11106 | FOOTBOARD TRIM |
| 10403 | TEXTURED FOOT TREAD |
| 10203 | 1/2" FLAT WASHER |
| 10016 | 1/2" X 2 SHOULDER BOLT |
| 10140 | 3/8" LOCK WASHER |
| 10197 | 3/8-16 NUT |
| 11089 | CURVED DISC SPRING #9716K86 |
| 10057 | #8 X 1: WASHER HEAD SCREW |



Collapsible Safety Rail Operation

Introduction

Collapsible Safety Rails are an accessory item that may have been purchased on your table or may be installed at a later date.

In This Section

You will be instructed on how to operate the collapsible safety rails.

Collapsible Safety Rail Operation Procedure

| <u>Step</u> | <u>Action</u> |
|-------------|--|
| 1 | To remove the safety rail, hold the safety rail with one hand (to prevent it from dropping) while you pull the release button with the other hand. (See Figure 1) |
| 2 | To lower or replace the safety rail, pull the release button, insert and lower the safety rail all the way down. Let go of the release button. |
| 3 | To raise the rail, lift the safety rail until the locking tab of the release button engages the locking hole in the safety rail preventing it from further movement. |

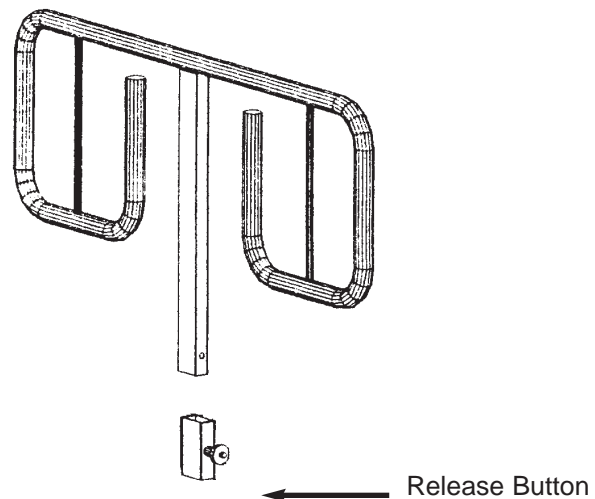


Figure 1

VasScan™ Table

Specifications for Model 2084, 2184, 2284

Model

- 2084 – Standard Top
- 2184 – 14" x 12" Exam Drop Section
- 2284 – 14" x 12" Exam Drop Section
14" x 12" Sonographers Drop Section



Model 2284 shown

SPECIFICATIONS

- 1000 lb. Load capacity
 - 500 lb. Lift capacity
 - 4 inch, 2-way locking casters
- | | |
|------------|---|
| LENGTH | 80" |
| WIDTH | 28" |
| WEIGHT | 265 lbs. |
| FOAM | Cal. B.F.T.B. #117 |
| VINYL | Fed. Spec. Cec-A-680A D.O.T. FAR 25.8536, M.V.S. 302 Port of NY/ Boston F.D. Code |
| ELECTRICAL | 120 VAC, 1.6 amps max, 50/60 Hz, UL 60601-1, CSA 222.2 No. 601.1, IEC 60601-1 compliant |

FEATURES

- 30° Reverse Trendelenburg - Electrically Adjustable
- 15° Trendelenburg - Electrically Adjustable
- Removable/Adjustable Footboard
- Electrical Fowler positioning (0 - 60°)
- 26.5" Low transfer height
- 26.5" - 34.5" Standard height range
- Electrically controlled pedestal base
- Armboard compatible
- Leg support compatible
- Head support compatible
- 24 V DC Hand controller
- Electrically isolated, 24V/DC motion control system with current overload protection circuit
- Sealed, water resistant, low voltage, control wand with self-retracting, coiled power cord
- Patient safe - pinch point free design
- Slate gray vinyl top
- Storage trays

WARRANTY

1 Year - Electrical, mechanical & vinyl fabric
(see Warranty for complete details)

OPTIONS

- 2 Way Drop Section
- Upper Extremity Armboard
- Vascular leg supports
- Carotid head support
- 71 Optional vinyl colors
- Collapsible safety rails
- Paper roll holder & cutter
- Positioning SafeTwedges™
- Foot Switch

FDA Registered Establishment



FDA Listed

U.S. Patents: 6,353,949 B1; 5,950,262;
5,919,131; 347,691; ,184,363; 5,461,739; 6,367,104
B1; 5,250,262; 5,367,104 B1; 6,832,399 B2; 6,557,196
B2; 7,082,268; **International Patents:** 195 81 706;
2,304,568; Additional Patents Pending

MEDICAL POSITIONING