

# Owner's Manual

## GSPM™Table

MEDICAL POSITIONING INC

Owner \_\_\_\_\_

Model \_\_\_\_\_

Serial Number \_\_\_\_\_

Date \_\_\_\_\_

# Table of Contents

---

## GSPM™Table

General	
Safety Features	2
Operation GSPM™Table	4
1. Table Operation	5
2. Hand Wand Function	6
3. Caster Use	7
Cleaning Instructions	8
Troubleshooting Guide	10
Warranty	11
Specification Sheets	
GSPM™Table	12

## **PREVENTATIVE MAINTENANCE**

---

The following Preventative Maintenance should be performed annually:

- Visually inspect all mechanical assemblies and moving parts on the product insuring smooth, steady operation
- Visually inspect all fasteners (bolts, nuts, screws, etc.) to insure all are fully installed. Tighten as necessary.
- Visually inspect all electrical cables and wires for signs of abrasion or other damage. If damaged, replace.
- Visually inspect all electrical connections to insure they are fully and properly connected. Reconnect as necessary.
- Visually inspect the hand wand or foot control. If damaged, replace.
- Operate all drop section latch mechanisms to insure proper engagement of latch into receiver. Adjust if necessary.
- Operate all motors to insure full extension, retraction and correct operation. The motors are permanently lubricated and require no maintenance.
- Operate all accessories to insure proper attachment and operation. Tighten, adjust or replace if necessary.

## MEDICAL POSITIONING, INC.

1717 Washington Street  
Kansas City, MO 64108

### GSPM Table

	<b>GSPM™ Table</b> <i>Model 60172</i>	<b>GSPM™ Table</b> <i>All other models</i>
Maximum Distributed Load:	500 Lbs.	500 Lbs.
Voltage:	120 VAC	120 VAC
Amperage:	7.0 Amps	1.6 Amps
Leakage Current:	<100 uA	<100 uA
Cycle:	60 Hz	60 Hz
Duty Cycle:	10%	10%

#### **UL 60601-1 CLASSIFICATIONS:**

- Class 1 Equipment
- Type B Applied part
- Degree Of Protection Against Ingress Of Water / IPX0
- Equipment Not Suitable For Use In Flammable Anesthetic Mixture

All electrical circuitry is isolated from chassis.

Grounding reliability can only be achieved when the equipment is connected to an equivalent receptacle marked "Hospital Only" or Hospital Grade".

The power cord is to be used for mains disconnection.

MEDICAL EQUIPMENT WITH RESPECT TO ELECTRICAL SHOCK,  
FIRE AND MECHANICAL HAZARDS ONLY IN ACCORDANCE  
WITH UL 60601-1 AND CAN/CSA c22.2 NO. 601.1

Grounding reliability can only be achieved when the equipment is connected to an equivalent receptacle marked "Hospital Only" or Hospital Grade"

# Safety Features

---

## In This Section

The GSPM™Table is designed to be used for fluoroscopic examination and treatment requiring positioning of the patient with a C-arm imaging device. This section lists safety features built into your GSPM™Table.

## Safety Features

---

The GSPM™Table is equipped with multiple automated safety features to prevent danger or damage during use.

The actuator assemblies are current overload protected. If overloaded, the actuators will stop and reset automatically.

The sealed, hand-held wand operates the actuators by directing small amounts of low voltage D.C. current to the control box. All of the actuator drives automatically prevent overextension.

The GSPM™Table are equipped with sealed bearing casters at all four corners and or total locking casters.

The GSPM™Table is recognized to the following standards:

UL 60601-1 IEC60601-1 CAN/CSA22.2-60.1

### IEC 60601-1 Classifications

- Protection against electrical shock- Class I, Optional Battery Back-up, Type B applied part
- Equipment not suitable for use with flammable anesthetic mixture with air or with oxygen or nitrous oxide
- Mode of operation - 1 minute operation, 9 minutes rest

### Environmental

- Mains power quality should be that of a typical commercial or hospital environment
- Power frequency magnetic fields should be at levels characteristic of a typical location in a commercial or hospital environment.

### Transport conditions

- Temperature range: -40°F (-40°C) to 150°F (70°C)
- Relative Humidity range: 10% to 100%
- Atmospheric pressure range: 14.76 in Hg (500 hPa) to 31.30 in Hg (1060hPa)

## Safety Features (continued)

Definitions of symbols used



Attention Consult Accompanying Documents



Type B Applied Part



Protective Earth Terminations

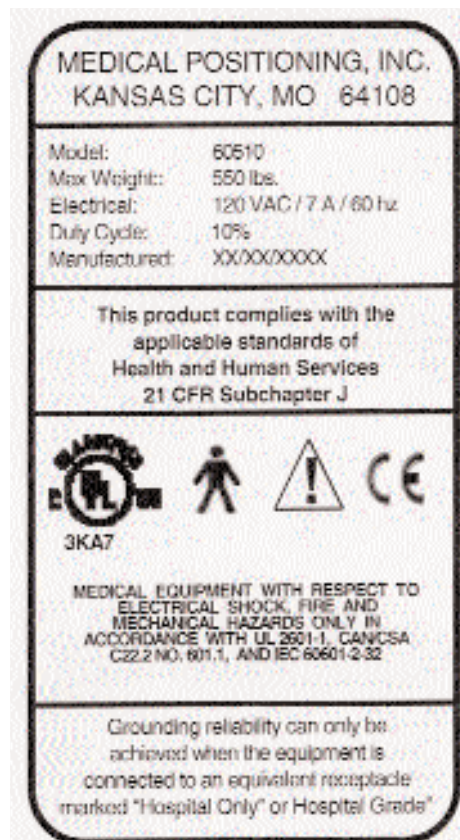


UPS Power On/Off



Emergency Stop Button

Representative drawing  
Capacities and electrical vary by model.



# Operation: GSPM™Table

---

## Introduction

The GSPM™Table is shipped assembled and ready for use. Each function has been pre-tested to insure perfect working order on day one. A “**Troubleshooting Guide**” is included to help you in the event of a malfunction.

---

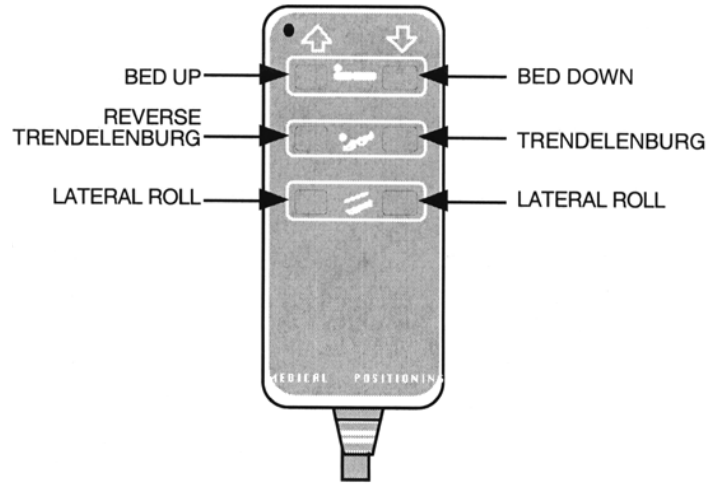
## In This Section

You will be provided with a basic understanding of the components of the GSPM™Table. You will be instructed on the proper use of the GSPM™Table, including:

- Using the Hand Wand (when applicable)
- Floor Brake
- Proper Cleaning Instructions
- Trouble Shooting Guide
- Warranty

## Table Operation

The GSPM™Table is operated through a hand wand. Please identify the operational device(s) your table is equipped with.

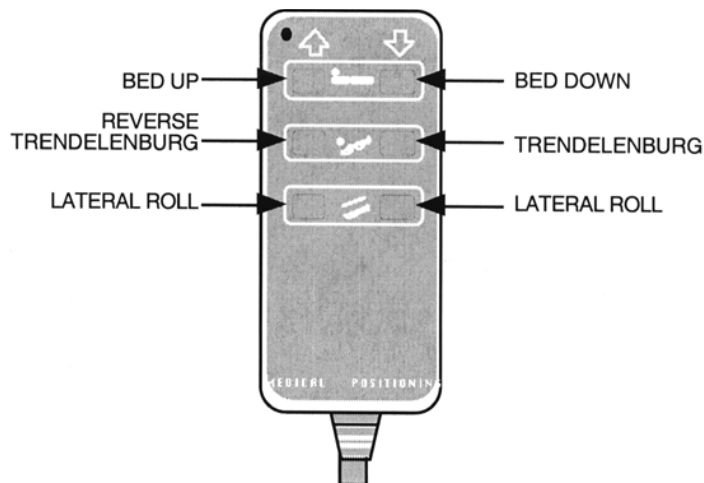


**HAND WAND**

Showing all available GSPM™Table hand wand functions

---

## Hand Wand Functions - GSPM™Table



<u>These Buttons</u>	<u>Result in this Action</u>
<b>TRENDELENBURG</b>	Begins program to raise the head of the bed.
<b>REVERSE TRENDELENBURG</b>	Begins program to lower the head of the bed.
<b>BED UP</b>	Begins program to raise the entire bed.
<b>BED DOWN</b>	Begins program to lower the entire bed.
<b>LATERAL ROLL RIGHT</b>	Begins program to roll the bed right.
<b>LATERAL ROLL LEFT</b>	Begins program to roll the bed left.

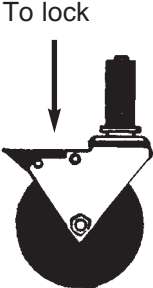
All handwand buttons are momentary. The table will move in the direction desired as long as the button is depressed. Movement will stop when the button is released.

---

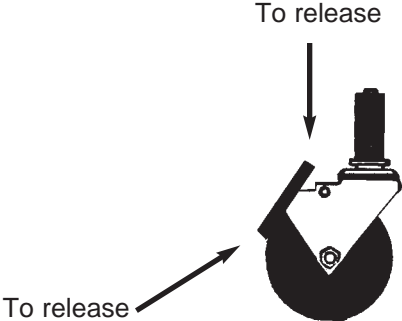
# Caster Use Procedure

The casters installed on your GSPM™Table are total locking casters. When in the locked position, the caster is prevented from both rolling and swiveling. *Before beginning any procedure involving a patient, insure the casters are in the locked position.*

<u>Step</u>	<u>Action</u>
1	To lock the caster, step down on the outermost edge of the black locking tab located at the top of the caster wheel.



2	To unlock the caster step down on the top, innermost edge of the locking tab or lift up on the outermost edge of the tab.
---	---------------------------------------------------------------------------------------------------------------------------



# Cleaning Instructions

Please note that substances such as imaging gels and alcohol will not damage the vinyl surface when immediately removed. Studies have shown that exposure for longer than a few minutes can damage the top coat and will eventually discolor vinyl.

**The painted metal and plastic surfaces can be cleaned with normal cleaners and disinfectant.**

<u>Step</u>	<u>Action</u>
1	Clean and/or disinfect with liquid cleaner of choice being careful to follow label instructions provided with cleaner. (Always test a small area first to determine suitability of solution.)
2	Wipe the surface clean with a wet cloth after applying cleaners and disinfectant to remove excess residue build-up.

**ALWAYS READ MANUFACTURERS INSTRUCTIONS AND WARNINGS BEFORE USING ANY CLEANING PRODUCT OR DISINFECTANT.**

**The vinyl upholstered surfaces can be cleaned in one of the following ways:**

<u>Step</u>	<u>Action</u>
1	When caught quickly, most everyday stains like grease, blood and black felt tip pens can be wiped right off. Use mild soap and water. For more stubborn stains, a variety of concentrated and solvent type cleansers (including alcohol, naphtha and bleach) may be used without damaging the surface. (Abrasive household cleaners and steel wool should be avoided - see the guide for complete care and cleaning procedures.)
2	Everyday soil can usually be removed using a soft cloth or sponge with mild soap and water. Spills and accidents require immediate attention for best results. In many cases, stains may be cleaned simply with warm water alone. If the stain is allowed to set, more concentrated cleaners may be required.

---

## Cleaning Instructions (cont.)

**The following guide covers many of the most common staining agents. During independent laboratory testing, many were allowed to stand for up to 40 hours with excellent cleaning results.**

Generally speaking, always start with the mildest cleaning agents first. **Never use harsh powdered abrasive cleansers or steel wool.** Products containing bleach, ammonia or alcohol (Lysol™) should be wiped from the surface with a wet cloth after use. Residue from these products **will** damage vinyl surfaces.

<u>Step</u>	<u>Action</u>
1	Remove excess spill with damp cloth. Clean with 1:1 mix of Ivory™ soap and water. Rinse with clean water and dry.
2	Use straight application of concentrated cleaners such as Formula 409™ or Fantastik™ Spray Cleaner. Then wipe with clean cloth.
3	Use a 1:1 mix of ammonia and water or a 1:4 mix of bleach and water. Rinse with clean water and dry.
4	Use straight application of naphtha (lighter fluid). Rinse thoroughly with clean water and pat surface dry. (see note below)
5	Use 1:1 mix of isopropyl alcohol and water. If stain persists, use straight alcohol. Rinse thoroughly with clean water pat surface dry. If stains remain, use a 1:1 mix of acetone and water. Rinse with clean water and pat surface dry. (see note below)

Note: For cleaning that requires steps 4 or 5 - use a soft cotton cloth saturated with the cleaning material, rub the stain in circles 10 times. Pat dry with another soft cotton cloth and check results.

This information is not a guarantee and does not relieve the user from the responsibility of the proper and safe use of the product and all cleaning agents.

Formula 409™ is a trademark of the Clorox™ Company.

Fantastik™ Spray Cleaner is a trademark of the Texize Division of Dow Consumer Products, Inc.

Ivory™ is a trademark of Procter and Gamble.

Lysol™ is a trademark of Reckitt & Colman Inc.

# Troubleshooting Guide

A “**Troubleshooting Guide**” is included to instruct you in the event of a malfunction. If you are experiencing any of the following symptoms, this guide may help you quickly solve the problem. If, after consulting this guide, you are still unable to operate your GSPM™Table, please contact Medical Positioning Incorporated at 1-800-593-3246. Please have the following information ready when you call:

1. Model Number or Name of Product
2. Date Received
3. Condition When Received
4. Symptom (or problem) Encountered & Result of Troubleshooting Procedure

Symptom	Probable Cause	Suggestion
<p>No Actuator Function. Actuator(s) Not Running.</p>	<p>Power cord not plugged all the way in wall receptacle.</p> <p>Power outlet receptacle not supplying 120 VAC power.</p> <p>Hand wand or control console not properly connected.</p> <p>Circuit breaker is tripped (If Equipped)</p> <p>Control Box Fuse Blown (If Equipped)</p>	<p>Push power cord securely into receptacle.</p> <p>Check power availability or plug unit into another receptacle.</p> <p>Securely press connecting cable(s) into receptacle(s).</p>

# Warranty

## GSPM™ Tables

**1 Year - Parts and Labor**  
**5 years - All electrical, mechanical and structural parts**

This product is fully guaranteed against defects in material or workmanship, for the period indicated above commencing with receipt by the original end user. If a product fails due to a manufacturing defect, we will repair or authorize repairs to the product without charge or replace it at our option.

We use only the finest materials available, but even these premium quality materials will not last forever. Repairs due to normal wear, accident, improper care, or negligence, where we are not at fault, will be performed for a reasonable charge. The warranty does not apply if the product has been modified without the advance written permission of Medical Positioning or purchased in the USA for export.

Medical Positioning makes no other warranty, either expressed or implied, with respect to this product. Medical Positioning specifically disclaims the implied warranties of merchantability and fitness for a particular purpose.

The remedies provided herein are customer's sole and exclusive remedies. In no event shall Medical Positioning be liable for any direct, indirect, special, incidental, or consequential damages, whether based on contract, tort, or any other legal theory.

Product shall not be returned to Medical Positioning, Inc. without prior written authorization from Medical Positioning, Inc. If a product is returned without prior authorization, customer is responsible for all shipping charges and any applicable duties and/or taxes. When a repair is made on site, (solely) at the request of the customer, the customer is responsible for all travel costs.

### **Medical Positioning Incorporated**

1717 Washington  
Kansas City, Missouri 64108  
(816) 474-1555  
800-593-3246  
FAX (816) 474-7755

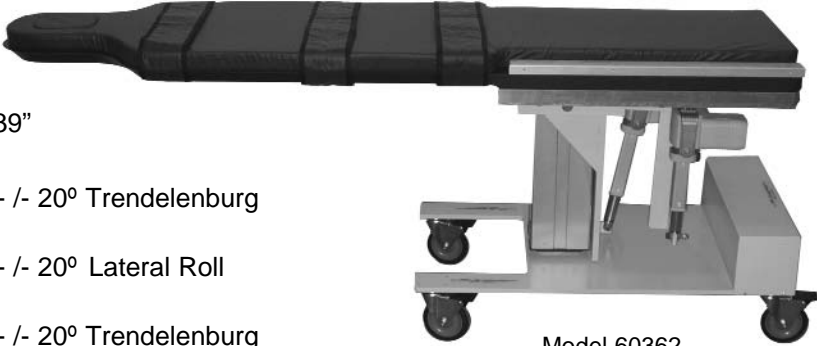
WARR0304

MEDICAL POSITIONING INC

**U.S. Patents:** 6,353,949 B1; 5,950,262; 5,919,131; 347,691; ,184,363; 5,461,739; 6,367,104 B1; 5,250,262; 5,367,104 B1; 6,832,399 B2; 6,557,196 B2; 7,082,268: **International Patents:** 195 81 706; 2,304,568; Additional Patents Pending

# GSPM™ Table

## Specifications for 60012, 60232, 60242, 60362

<p><b>Model #</b></p> <p><b>60012</b> - Height adjustable only 29" - 39"</p> <p><b>60232</b> - Height adjustable 29" - 39", + /- 20° Trendelenburg</p> <p><b>60242</b> - Height adjustable 29" - 39", + /- 20° Lateral Roll</p> <p><b>60362</b> - Height adjustable 29" - 39", + /- 20° Trendelenburg and + /- 20° Lateral Roll</p>	 <p>Model 60362</p>
-------------------------------------------------------------------------------------------------------------------------------------------------------------------------------------------------------------------------------------------------------------------------------------------------------------------------------------	-------------------------------------------------------------------------------------------------------

### FEATURES

#### Imaging Surface

- Prone Procedure Facial Opening
- 500 lb patient capacity (4 to 1 safety factor)
- 53" of metal free imaging area
- Attenuation .57 mm Al. equivalent
- 2" low attenuation mattress pad
- Height - electrically adjustable
- Cervical access shaped top
- Beveled edge
- Fully adjustable 3 belt patient restraint straps (except 60012)
- Table articulation controlled by a sealed, water resistant, low voltage, hand wand
- Stainless steel accessory rails

#### Portability

- 5 inch total locking casters

#### Base

- C-arm accessible base
- E-Z access ergonomic base

#### Options

- Carbon fiber articulating arm boards and pads
- Accessory rails
  - Stainless steel
  - Extended stainless steel accessory rails
- Patient Restraint Straps (for Model 60012)
- Battery back-up and user selectable memory positions
- Foot Switch

#### Warranty

**5 Years** - All electrical, mechanical and structural parts  
**1 Year** - Parts and labor  
 (see Warranty for complete details)

#### Specifications

LENGTH	84"
WIDTH	22"
WEIGHT	300 lbs.
LOAD CAP.	500 lbs. distributed load
MATTRESS	Attenuation equivalent to .13mmAl
ELECTRICAL	Model 60172 - 120VAC / 7.0amp; All other models - 120 VAC/ 1.6, UL 601, CSA 222.2 No. 601.1, IEC 60601-1

FDA Registered Establishment




FDA Listed

**U.S. Patents:** 6,353,949 B1; 5,919,131; 347,691; ,184,363; 5,461,739; 6,367,104 B1; 5,250,262; 5,367,104 B1; 6,832,399 B2; 6,557,196 B2; 7,082,268; **International Patents:** 195 81 706; 2,304,568; Additional Patents Pending

# GSPM™ Table

## Specifications for 60020 and 60022

<p><b>Model #</b></p> <p><b>60020</b> - Variable height 29" - 39" with cervical access shaped top</p> <p><b>60022</b> - Variable height 29" - 39" with cervical access shaped top with facial cutout</p>	 <p style="text-align: right; margin-top: 10px;">Model 60020</p>
----------------------------------------------------------------------------------------------------------------------------------------------------------------------------------------------------------	----------------------------------------------------------------------------------------------------------------------------------------------------

### FEATURES

**Imaging Surface**

- 500 lb patient capacity (4 to 1 safety factor)
- 53" of metal free imaging area
- Attenuation .57 mm Al. equivalent
- 2" low attenuation mattress pad
- Height manually adjustable, 29" - 39"

**Portability**

- 5 inch total locking casters

**Base**

- C-arm accessible base
- E-Z access ergonomic base

**Options**

- Carbon fiber articulating arm boards and pads
- Accessory rails
  - Stainless steel
  - Extended stainless steel accessory rails
- Fully adjustable patient restraint straps

**Warranty**

5 Years - All electrical, mechanical, and structural parts  
 1 Year - Parts and labor  
 (see warranty for complete details)

### SPECIFICATIONS

LENGTH	84"	LOAD CAP.	500 lbs. distributed load
WIDTH	22"	MATTRESS	Attenuation equivalent to .13mmAl
WEIGHT	290 lbs.		

FDA Registered Establishment



FDA Listed

**U.S. Patents:** 6,353,949 B1; 5,919,131; 347,691; ,184,363; 5,461,739; 6,367,104 B1; 5,250,262; 5,367,104 B1; 6,832,399 B2; 6,557,196 B2; 7,082,268; **International Patents:** 195 81 706; 2,304,568; Additional Patents Pending